

16 Series

16W (hydronic)
16E (electric)



16E FITS **37 1/2"** WIDE X **16"** SLEEVE

16W FITS **41 1/2"** WIDE X **16"** SLEEVE

SLIDE IN REPLACEMENT FOR:

16 - American Air Filter®, Nelson Air®, Singer®, Remington®, Islandaire®, Applied Comfort®

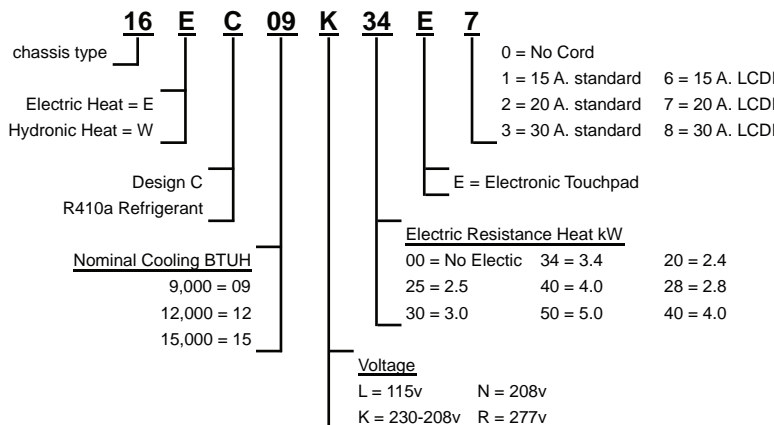
AAF 16, Enersaver

PNES, ENR - McQuay®, AAF

WY - McQuay®, AAF, Islandaire®

R10 - RetroAire®

Premium, . . . meet Affordable!



*Re-engineered for 2012
quieter! more dehumidification!*

16WC Air Conditioner with Hydronic Heat

PERMANENTLY CONNECTED. SUB-BASE Connected. Non-LCDI cord plugs into hard-wired protected receptacle.

| Model | Voltage | Hz | Min. Circuit Amps | MOP* Fuse Amps | Electrical Plug (NEMA) | Cooling | | | | | Resistance Heat | | | Indoor CFM HIGH* | Indoor CFM LOW* | Vent CFM | Net Wt. lbs. | Ship Wt. lbs. |
|-------------|-----------|----|-------------------|----------------|------------------------|---------|-----|---------|------|----------|-----------------|-----|------|------------------|-----------------|----------|--------------|---------------|
| | | | | | | BTU/Hr. | EER | Amps | S/T | Pts./hr. | BTU/Hr. | kW | Amps | | | | | |
| 16WC09L00E2 | 115 | 60 | 13 | 15 | #5-20P | 9600 | 10 | 10 | 0.78 | 2.0 | N/A | N/A | N/A | 310 | 265 | 90 | 118 | 126 |
| 16WC12L00E2 | " | " | 16.2 | 20 | #5-20P | 11700 | 9.2 | 12.6 | 0.7 | 3.3 | N/A | N/A | N/A | 360 | 310 | " | " | " |
| 16WC09N00E2 | 208 | " | 6.2 | 15 | #6-20P | 9600 | 10 | 5.1 | 0.78 | 2.0 | N/A | N/A | N/A | 300 | 250 | " | " | " |
| 16WC12N00E2 | " | " | 8.1 | " | " | 11600 | 9.2 | 6.6 | 0.7 | 2.8 | N/A | N/A | N/A | 350 | 300 | " | " | " |
| 16WC15N00E2 | " | " | 9.8 | " | " | 14000 | 8.8 | 8.3 | 0.68 | 4.3 | N/A | N/A | N/A | " | " | " | " | " |
| 16WC09K00E2 | 230 - 208 | " | 6.2 | 15 | #6-20P | 9600 | 10 | 4.9/5.1 | 0.8 | 1.8 | N/A | N/A | N/A | 325/300 | 290/250 | " | " | " |
| 16WC12K00E2 | " | " | 8.1 | " | " | 11600 | 9.2 | 6.3/6.6 | 0.75 | 2.8 | N/A | N/A | N/A | 370/350 | 325/300 | " | " | " |
| 16WC15K00E2 | " | " | 9.8 | " | " | 14000 | 8.8 | 7.9/8.3 | 0.68 | 4.3 | N/A | N/A | N/A | 370/350 | 325/300 | " | " | " |
| 16WC09R00E2 | 277 | " | 5.7 | 15 | #7-20P | 9600 | 10 | 4 | 0.8 | 1.8 | N/A | N/A | N/A | 360 | 310 | " | " | " |
| 16WC12R00E2 | " | " | 6.8 | " | " | 11700 | 9.2 | 5.3 | 0.75 | 2.8 | N/A | N/A | N/A | " | " | " | " | " |
| 16WC15R00E2 | " | " | 8.4 | " | " | 14200 | 8.8 | 6.6 | 0.68 | 4.3 | N/A | N/A | N/A | " | " | " | " | " |

*Time Delay Fuse or HCAR Circuit Breaker ---- *Dry Coil



| Model | Voltage | Hz | Hot Water Heat HIGH SPEED | Hot Water Heat LOW SPEED | Water Flow Rate USGPM | Coil Pressure Drop (HIGH SPEED) | Steam Heat HIGH SPEED | Steam Heat LOW SPEED | Heating Current Amps |
|-------------|-----------|----|---------------------------|--------------------------|-----------------------|---------------------------------|-----------------------|----------------------|----------------------|
| | | | BTU/Hr. | BTU/Hr. | | Ft of Water | BTU/Hr. | BTU/Hr. | |
| 16WC09L00E2 | 115 | 60 | 17200 | 16100 | 1.8 | 1.8 | 21100 | 19600 | <1 |
| 16WC12L00E2 | " | " | 18500 | 17400 | 1.9 | 1.9 | 22600 | 21100 | " |
| 16WC09N00E2 | 208 | " | 17000 | 15600 | 1.7 | 1.6 | 20800 | 19000 | " |
| 16WC12N00E2 | " | " | 18300 | 17200 | 1.9 | 1.8 | 22300 | 20800 | " |
| 16WC15N00E2 | " | " | 18300 | 17200 | 1.9 | 1.8 | 22300 | 20800 | " |
| 16WC09K00E2 | 230 - 208 | " | 17600/17000 | 16800/15600 | 1.8 - 1.7 | 1.8 - 1.6 | 21500/20800 | 20500/19000 | " |
| 16WC12K00E2 | " | " | 18800/18300 | 17700/17200 | 1.9 - 1.9 | 2.0 - 1.8 | 22900/22300 | 21600/20800 | " |
| 16WC15K00E2 | " | " | 18800/18300 | 17700/17200 | 1.9 - 1.9 | 2.0 - 1.8 | 22900/22300 | 21600/20800 | " |
| 16WC09R00E2 | 277 | " | 18500 | 17400 | 1.9 | 1.8 | 22600 | 21100 | " |
| 16WC12R00E2 | " | " | " | " | " | " | " | " | " |
| 16WC15R00E2 | " | " | " | " | " | " | " | " | " |

Maximum Steam Pressure: 2 psig ---- Steam ratings based on conditions of 70°F entering air, and 2 psig steam pressure with heat output automatically adjusting for blower speed. Maximum Water Temperature: 210°F ---- HIGH SPEED Water ratings based on ASHRAE/AHRI conditions of 70°F entering air, 200°F entering water and 180°F leaving water temperatures. LOW SPEED Water ratings based on water flow rate set for HIGH SPEED rating condition operating point.



Electronic Touchpad Controls

- on-chassis touchpad with large LED readout
- switchable to 24v remote thermostats - EMS ready
- two speed room fan control
- electronic temperature limiting
- fresh air supply door provided



Applied COMFORT

Premium

www.breeddenandsilver.com

Affordable

16EC Air Conditioner with Electric Resistance Heat

PERMANENTLY CONNECTED. SUB-BASE Connected. Non-LCDI short cord plugs into hard-wired protected receptacle in Sub-base.

| Model | Voltage | Hz | Min. Circuit Amps | MOP* Fuse Amps | Electrical Plug (NEMA) | Cooling | | | | | Resistance Heat | | | Indoor CFM HIGH° | Indoor CFM LOW° | Vent** CFM | Net Wt. lbs. | Ship Wt. lbs. |
|-------------|-----------|----|-------------------|----------------|------------------------|---------|-----|------|------|----------|-----------------|---------|-----------|------------------|-----------------|------------|--------------|---------------|
| | | | | | | BTU/Hr. | EER | Amps | S/T | Pts./hr. | BTU/Hr. | kW | Amps | | | | | |
| 16EC09L00E2 | 115 | 60 | 13 | 15 | #5-20P | 9600 | 10 | 10 | 0.78 | 2.0 | N/A | N/A | N/A | 325 | 275 | 90 | 118 | 126 |
| 16EC12L00E2 | " | " | 16.2 | 20 | #5-20P | 11600 | 9.2 | 12.6 | 0.7 | 3.3 | N/A | N/A | N/A | " | " | " | " | " |
| 16EC09N00E2 | 208 | " | 6.2 | 15 | #6-20P | 9600 | 10 | 5.1 | 0.78 | 2.0 | N/A | N/A | N/A | 315 | 260 | " | " | " |
| 16EC09N20E2 | " | " | 13 | " | " | " | " | " | " | " | 7300 | 2.0 | 10.4 | " | " | " | " | " |
| 16EC09N28E2 | " | " | 17.4 | 20 | " | " | " | " | " | " | 9900 | 2.8 | 13.9 | " | " | " | " | " |
| 16EC09N41E2 | " | " | 25.3 | 30 | " | " | " | " | " | " | 14300 | 4.1 | 20.2 | " | " | " | " | " |
| 16EC12N00E2 | " | " | 8.1 | 20 | " | 11600 | 9.2 | 6.6 | 0.7 | 2.8 | N/A | N/A | N/A | " | " | " | " | " |
| 16EC12N20E2 | " | " | 13 | " | " | " | " | " | " | " | 7300 | 2.0 | 10.4 | " | " | " | " | " |
| 16EC12N28E2 | " | " | 17.4 | " | " | " | " | " | " | " | 9900 | 2.8 | 13.9 | " | " | " | " | " |
| 16EC12N41E2 | " | " | 25.3 | 30 | " | " | " | " | " | " | 14300 | 4.1 | 20.2 | " | " | " | " | " |
| 16EC15N00E2 | " | " | 9.8 | 20 | " | 14000 | 8.8 | 8.3 | 0.68 | 4.3 | N/A | N/A | N/A | " | " | " | " | " |
| 16EC15N20E2 | " | " | 13 | " | " | " | " | " | " | " | 7300 | 2.0 | 10.4 | " | " | " | " | " |
| 16EC15N28E2 | " | " | 17.4 | " | " | " | " | " | " | " | 9900 | 2.8 | 13.9 | " | " | " | " | " |
| 16EC15N41E2 | " | " | 25.3 | 30 | " | " | " | " | " | " | 14300 | 4.1 | 20.2 | " | " | " | " | " |
| 16EC09K00E2 | 230 - 208 | " | 6.2 | 20 | #6-20P | 9600 | 10 | 5.1 | 0.78 | 2.0 | N/A | N/A | N/A | 345/315 | 300/260 | " | " | " |
| 16EC09K25E2 | " | " | 14.3 | " | " | " | " | " | " | " | 8900/7300 | 2.5/2.1 | 11.4/10.4 | " | " | " | " | " |
| 16EC09K34E2 | " | " | 19.2 | " | " | " | " | " | " | " | 12000/9900 | 3.4/2.8 | 15.3/13.9 | " | " | " | " | " |
| 16EC09K50E3 | " | " | 27.9 | 30 | #6-30P | " | " | " | " | " | 17400/14300 | 5/4.1 | 22.3/20.2 | " | " | " | " | " |
| 16EC12K00E2 | " | " | 8 | 20 | #6-20P | 11600 | 9.2 | 6.6 | 0.7 | 2.8 | N/A | N/A | N/A | " | " | " | " | " |
| 16EC12K25E2 | " | " | 13.3 | " | " | " | " | " | " | " | 8900/7300 | 2.5/2.1 | 11.4/10.4 | " | " | " | " | " |
| 16EC12K34E2 | " | " | 19.2 | " | " | " | " | " | " | " | 12000/9900 | 3.4/2.8 | 15.3/13.9 | " | " | " | " | " |
| 16EC12K50E3 | " | " | 27.9 | 30 | #6-30P | " | " | " | " | " | 17400/14300 | 5/4.1 | 22.3/20.2 | " | " | " | " | " |
| 16EC15K00E2 | " | " | 9.7 | 20 | #6-20P | 14000 | 8.8 | 8.3 | 0.68 | 4.3 | N/A | N/A | N/A | " | " | " | " | " |
| 16EC15K25E2 | " | " | 14.3 | " | " | " | " | " | " | " | 8900/7300 | 2.5/2.1 | 11.4/10.4 | " | " | " | " | " |
| 16EC15K34E2 | " | " | 19.2 | " | " | " | " | " | " | " | 12000/9900 | 3.4/2.8 | 15.3/13.9 | " | " | " | " | " |
| 16EC15K50E3 | " | " | 27.9 | 30 | #6-30P | " | " | " | " | " | 17400/14300 | 5/4.1 | 22.3/20.2 | " | " | " | " | " |
| 16EC09R00E2 | 277 | " | 5.7 | 15 | #7-20P | 9600 | 10 | 4.3 | 0.78 | 2.0 | N/A | N/A | N/A | 380 | 335 | " | " | " |
| 16EC09R20E2 | " | " | 9.9 | " | " | " | " | " | " | " | 7200 | 2.0 | 8.0 | " | " | " | " | " |
| 16EC09R30E2 | " | " | 14.4 | " | " | " | " | " | " | " | 10600 | 3.0 | 11.6 | " | " | " | " | " |
| 16EC09R40E2 | " | " | 19 | 20 | " | " | " | " | " | " | 14000 | 4.0 | 15.2 | " | " | " | " | " |
| 16EC12R00E2 | " | " | 6.8 | 15 | " | 11600 | 9.2 | 5.7 | 0.7 | 2.8 | N/A | N/A | N/A | " | " | " | " | " |
| 16EC12R20E2 | " | " | 9.9 | " | " | " | " | " | " | " | 7200 | 2.0 | 8.0 | " | " | " | " | " |
| 16EC12R30E2 | " | " | 14.4 | " | " | " | " | " | " | " | 10600 | 3.0 | 11.6 | " | " | " | " | " |
| 16EC12R40E2 | " | " | 19 | 20 | " | " | " | " | " | " | 14000 | 4.0 | 15.2 | " | " | " | " | " |
| 16EC15R00E2 | " | " | 8.4 | 15 | " | 14000 | 8.8 | 6.9 | 0.68 | 4.3 | N/A | N/A | N/A | " | " | " | " | " |
| 16EC15R20E2 | " | " | 9.9 | " | " | " | " | " | " | " | 7200 | 2.0 | 8.0 | " | " | " | " | " |
| 16EC15R30E2 | " | " | 14.4 | " | " | " | " | " | " | " | 10600 | 3.0 | 11.6 | " | " | " | " | " |
| 16EC15R40E2 | " | " | 19 | 20 | " | " | " | " | " | " | 14000 | 4.0 | 15.2 | " | " | " | " | " |

*Time Delay Fuse or HCAR Circuit Breaker ---- °Dry Coil ---- 277v models are permanently connected using 20amp non-LCDI cords.

CORD-CONNECTED. LCDI full-length Cord for connection to remote receptacle.

| Model | Voltage | Hz | Min. Circuit Amps | MOP* Fuse Amps | Electrical Plug (NEMA) | Cooling | | | | | Resistance Heat | | | Indoor CFM HIGH° | Indoor CFM LOW° | Vent** CFM | Net Wt. lbs. | Ship Wt. lbs. |
|-------------|-----------|----|-------------------|----------------|------------------------|---------|-----|------|------|----------|-----------------|---------|-----------|------------------|-----------------|------------|--------------|---------------|
| | | | | | | BTU/Hr. | EER | Amps | S/T | Pts./hr. | BTU/Hr. | kW | Amps | | | | | |
| 16EC09L00E6 | 115 | 60 | 13 | 15 | #5-15P | 9600 | 10 | 10 | 0.78 | 2.0 | N/A | N/A | N/A | 325 | 275 | 90 | 118 | 126 |
| 16EC09L00E7 | " | " | " | 20 | #5-20P | 9600 | 10 | 10 | 0.78 | 2.0 | N/A | N/A | N/A | " | " | " | " | " |
| 16EC12L00E7 | " | " | 16.2 | 20 | #5-20P | 11600 | 9.5 | 12.6 | 0.7 | 3.3 | N/A | N/A | N/A | " | " | " | " | " |
| 16EC09K00E6 | 230 - 208 | " | 6.2 | 15 | #6-15P | 9600 | 10 | 5.1 | 0.78 | 2.0 | N/A | N/A | N/A | 345/315 | 300/260 | " | " | " |
| 16EC09K00E7 | " | " | " | 20 | #6-20P | " | " | " | " | " | " | " | " | " | " | " | " | " |
| 16EC09K25E6 | " | " | 14.3 | 15 | #6-15P | " | " | " | " | " | 8900/7300 | 2.5/2.1 | 11.4/10.4 | " | " | " | " | " |
| 16EC09K25E7 | " | " | " | 20 | #6-20P | " | " | " | " | " | 8900/7300 | 2.5/2.1 | 11.4/10.4 | " | " | " | " | " |
| 16EC09K34E7 | " | " | 19.2 | 20 | #6-20P | " | " | " | " | " | 12000/9900 | 3.4/2.8 | 15.3/13.9 | " | " | " | " | " |
| 16EC09K34E8 | " | " | " | 30 | #6-30P | " | " | " | " | " | 12000/9900 | 3.4/2.8 | 15.3/13.9 | " | " | " | " | " |
| 16EC09K50E8 | " | " | 27.9 | 30 | #6-30P | " | " | " | " | " | 17400/14300 | 5/4.1 | 22.3/20.2 | " | " | " | " | " |
| 16EC12K00E6 | " | " | 8 | 15 | #6-15P | 11600 | 9.2 | 6.6 | 0.7 | 2.8 | N/A | N/A | N/A | " | " | " | " | " |
| 16EC12K00E7 | " | " | " | 20 | #6-20P | 11600 | 9.2 | 6.6 | 0.7 | 2.8 | N/A | N/A | N/A | " | " | " | " | " |
| 16EC12K25E6 | " | " | 13.3 | 15 | #6-15P | " | " | " | " | " | 8900/7300 | 2.5/2.1 | 11.4/10.4 | " | " | " | " | " |
| 16EC12K25E7 | " | " | " | 20 | #6-20P | " | " | " | " | " | 8900/7300 | 2.5/2.1 | 11.4/10.4 | " | " | " | " | " |
| 16EC12K34E7 | " | " | 19.2 | 20 | #6-20P | " | " | " | " | " | 12000/9900 | 3.4/2.8 | 15.3/13.9 | " | " | " | " | " |
| 16EC12K34E8 | " | " | " | 30 | #6-30P | " | " | " | " | " | 12000/9900 | 3.4/2.8 | 15.3/13.9 | " | " | " | " | " |
| 16EC12K50E8 | " | " | 27.9 | 30 | #6-30P | " | " | " | " | " | 17400/14300 | 5/4.1 | 22.3/20.2 | " | " | " | " | " |
| 16EC15K00E6 | " | " | 9.7 | 15 | #6-15P | 14000 | 8.8 | 8.3 | 0.68 | 4.3 | N/A | N/A | N/A | " | " | " | " | " |
| 16EC15K00E7 | " | " | " | 20 | #6-20P | 14000 | 8.8 | 8.3 | 0.68 | 4.3 | N/A | N/A | N/A | " | " | " | " | " |
| 16EC15K25E6 | " | " | 14.3 | 15 | #6-15P | " | " | " | " | " | 8900/7300 | 2.5/2.1 | 11.4/10.4 | " | " | " | " | " |
| 16EC15K25E7 | " | " | " | 20 | #6-20P | " | " | " | " | " | 8900/7300 | 2.5/2.1 | 11.4/10.4 | " | " | " | " | " |
| 16EC15K34E7 | " | " | 19.2 | 20 | #6-20P | " | " | " | " | " | 12000/9900 | 3.4/2.8 | 15.3/13.9 | " | " | " | " | " |
| 16EC15K34E8 | " | " | " | 30 | #6-30P | " | " | " | " | " | 12000/9900 | 3.4/2.8 | 15.3/13.9 | " | " | " | " | " |
| 16EC15K50E8 | " | " | 27.9 | 30 | #6-30P | " | " | " | " | " | 17400/14300 | 5/4.1 | 22.3/20.2 | " | " | " | " | " |

*Time Delay Fuse or HCAR Circuit Breaker ---- °Dry Coil

Specifications Subject to Change Without Notice

All brands and product names are trademarks or registered trademarks of their respective owners.

