

S Series

RMS
RKS
CMS
--S

Breeden & Silver
Distribution Corp.

FITS **36" WIDE X 16" SLEEVE**

RM_s

SLIDE IN REPLACEMENT FOR:

RM Models - Cool Heat®, Islandaire®, ZoneAire®
TPI® Ra-Matic

RK_s

SLIDE IN REPLACEMENT FOR:

RSK, RK Models - IceCap / IceAir®, Islandaire®

CM_s

SLIDE IN REPLACEMENT FOR:

Climate Master 702, 703 & 704 Models
- Friedrich®, Weil-McLain®, ZoneAire®

CM Models - Fedders Islandaire, Islandaire®

--S

SLIDE IN REPLACEMENT FOR:

SC Models - ZoneAire®, Applied Comfort®
SEA, SHA Models - Heil-Quaker®, ZoneAire®
HQ,
Embassy® Weathertwin
Sears® 867 Models

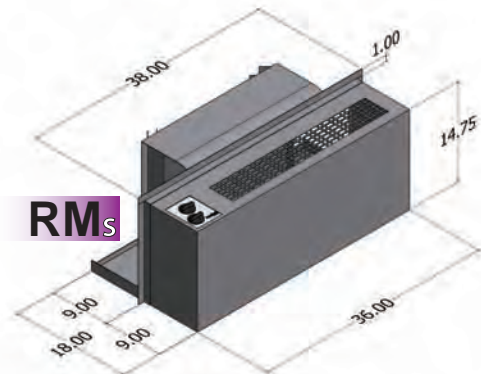
Premium, meet Affordable !



Our design engineers use only Premium UL Category 1 components, and our production team conduct rigorous QA testing on each unit to ensure **unmatched reliability & long service life.**

Each design is optimized for energy efficiency and then subjected to 3rd party laboratory testing to **ensure class-leading performance, safety, low operating costs, and a product that you can trust !**

Engineered and built in North America since 1994 !



RM_s

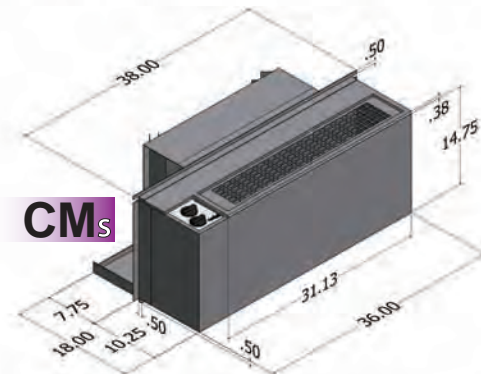
2 CONTROL OPTIONS:

Mechanical

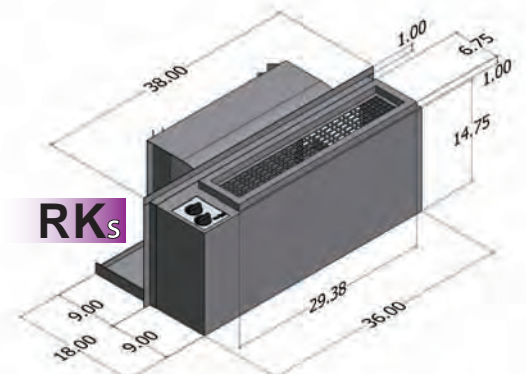
- on-chassis controls
- selectable 3 speed room fan control
- (optional) mechanical fresh air door
- on chassis temperature control
- no remote thermostat connection

Electronic Touchpad

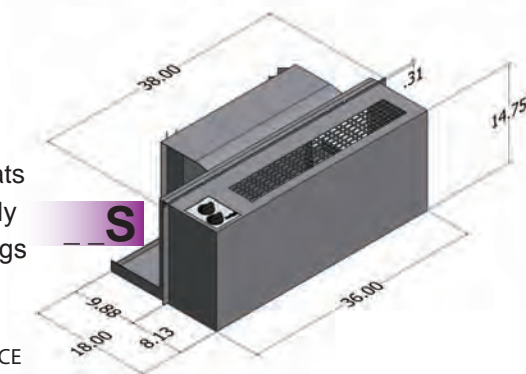
- on-chassis touchpad
- large LED readout
- two speed room fan control
- electronic temperature limiting
- switchable to 24v remote for connection to wired or wireless thermostats
- EMS -- energy management system ready
- fresh air door eliminated for energy savings



CM_s



RK_s



S

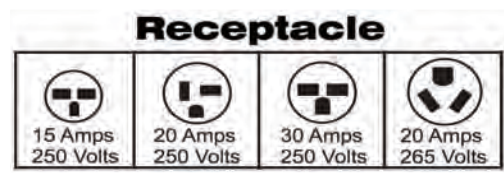
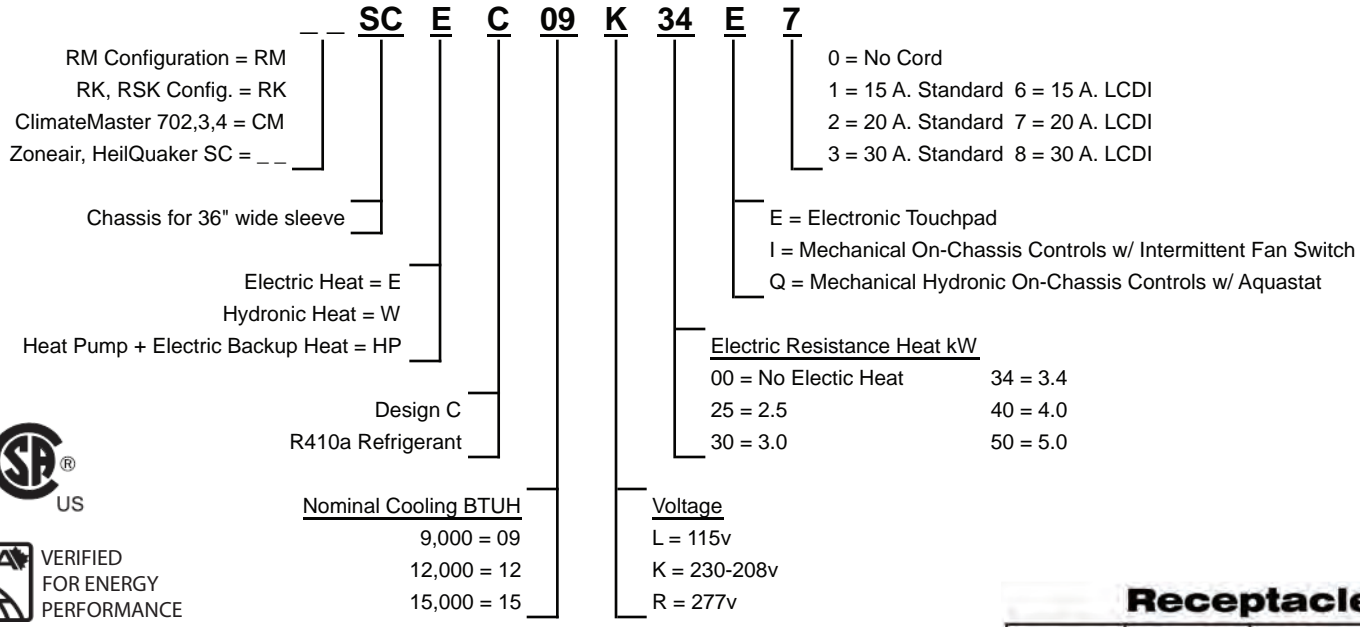


VERIFIED FOR ENERGY PERFORMANCE

Premium

www.breedenandsilver.com

Affordable



- ___ SCE Air Conditioner with Electric Resistance Heat
- ___ SCW Air Conditioner with Hydronic Heat
- ___ SCHP Heat Pump with Electric Resistance Backup Heat

Model	Voltage	Hz	Cooling				Reverse-Cycle Heat		Resistance Heat			Min. Circuit Amps	Fuse Amps	Electrical Receptacle (NEMA)	Indoor CFM	** Vent CFM	Net Wt. lbs.	Ship Wt. lbs.
			BTU/Hr.	EER	Amps	Pts./hr.	BTU/Hr.	COP	BTU/Hr.	kW	Amps							
___ SCE09L00	115	60	9800	10.4	9.6	1.4	N/A	N/A	N/A	N/A	N/A	13	15	#5-15R	450	90	118	127
___ SCE12L00	"	"	11800	9.5	11.5	2.2	N/A	N/A	N/A	N/A	N/A	16.2	20	#5-20R	"	"	119	128
___ SCE09K25	230/208	"	9800	10.4	4.8/5.3	1.4	N/A	N/A	8900/7300	2.5/2.1	11.6/10.5	14.4	20	#6-20R	"	"	118	127
___ SCE12K34	"	"	11800	9.5	6.5/7.1	2.2	N/A	N/A	12000/9900	3.4/2.8	15.5/14.1	19.3	20	#6-20R	"	"	119	128
___ SCE15K50	"	"	14400	9.4	7.5/8.2	3.9	N/A	N/A	17400/14300	5/4.1	22.5/20.4	28	30	#6-30R	"	"	120	129
___ SCE09R20	277	"	9800	10.4	4	1.4	N/A	N/A	7200	2.0	8	9.9	15	#7-20R	"	"	118	127
___ SCE12R30	"	"	11800	9.5	5.4	2.2	N/A	N/A	10600	3.0	11.6	14.4	15	#7-20R	"	"	119	128
___ SCE15R40	"	"	14400	9.4	6.3	3.9	N/A	N/A	14000	4.0	15.2	19	20	#7-20R	"	"	120	129
___ SCWC09L00	115	"	9800	10.4	9.2	1.4	N/A	N/A	N/A	N/A	N/A	12.6	15	#5-15R	"	"	118	127
___ SCWC12L00	"	"	11800	9.5	11.6	2.2	N/A	N/A	N/A	N/A	N/A	16.2	20	#5-20R	"	"	119	128
___ SCWC09K00	230/208	"	9800	10.4	4.5/4.7	1.4	N/A	N/A	N/A	N/A	N/A	6.4	15	#6-20R	"	"	118	127
___ SCWC12K00	"	"	11800	9.5	6.5/7.1	2.2	N/A	N/A	N/A	N/A	N/A	8.1	15	#6-20R	"	"	119	128
___ SCWC15K00	"	"	14400	9.4	7.5/8.2	3.9	N/A	N/A	N/A	N/A	N/A	9.6	15	#6-20R	"	"	120	129
___ SCWC09R00	277	"	9800	10.4	4	1.4	N/A	N/A	N/A	N/A	N/A	5.8	15	#7-20R	"	"	118	127
___ SCWC12R00	"	"	11800	9.5	5.4	2.2	N/A	N/A	N/A	N/A	N/A	6.8	15	#7-20R	"	"	119	128
___ SCWC15R00	"	"	14400	9.4	6.3	3.9	N/A	N/A	N/A	N/A	N/A	8.4	15	#7-20R	"	"	120	129
___ SCHPC12K00	230/208	"	11800	9.5	5.9/6.2	2.2	12300	3.3	N/A	N/A	N/A	8.1	15	#6-20R	"	"	125	134
___ SCHPC12K25	"	"	11800	9.5	5.9/6.2	2.2	12300	3.3	8900/7300	2.5/2.1	11.6/10.5	14.5	15	#6-20R	"	"	125	134
___ SCHPC15K34	"	"	14400	9.4	7.6/8.0	3.9	15200	3.1	12000/9900	3.4/2.8	15.5/14.1	19.3	20	#6-20R	"	"	126	135
___ SCHPC15K50	"	"	14400	9.4	7.6/8.0	3.9	15200	3.1	17400/14300	5/4.1	22.5/20.4	28	30	#6-30R	"	"	126	135
___ SCHPC12R20	277	"	11800	9.5	4	2.2	12300	3.3	10600	3.0	11.6	14.4	15	#7-20R	"	"	125	134
___ SCHPC12R30	"	"	11800	9.5	5.4	2.2	12300	3.3	10600	3.0	11.6	14.4	15	#7-20R	"	"	126	135
___ SCHPC15R40	"	"	14400	9.4	6.7	3.9	15200	3.1	14000	4.0	15.2	19	20	#7-20R	"	"	126	135

Other heater sizes and cooling only models are available. Consult our website, or contact us directly for further information.
 ** Vent fresh air is only available on chassis with mechanical controls; there is no vent air on chassis with Electronic controls.

Breden & Silver Distribution Corp.
 Hampton, VA 800-989-1210
 Richmond, VA 800-966-1210
 www.bredenandsilver.com



Specifications Subject to Change Without Notice
 All brands and product names are trademarks or registered trademarks of their respective owners.